



**#1 BRAND IN STEEL  
DECK FRAMING**

**WHAT THE  
HECK IS UNDER  
YOUR DECK?**


**EVOLUTION**<sup>™</sup>  
STEEL DECK FRAMING



## IT'S WHAT YOU DON'T SEE THAT COUNTS

Why build a 25-year deck on a wood frame that rots? Our Evolution steel deck framing and stair system is the next evolution in decking. If you know how to frame with wood, you can frame with steel, even with curves. The interlocking joist and ledger system lets you build sturdy, safe decks with less effort. Our powder-coated finish provides increased corrosion resistance and a more finished look. Discover a smarter steel framing system designed by deck builders, for deck builders.

### COMPARE THE DIFFERENCE:

	WOOD FRAMING	STEEL FRAMING
Easy To Install	✓	✓
Straight Uniform Pieces		✓
Build Beyond Limitations		✓
Compatibility	✓	✓
Long-Life Warranty		✓
A Smart Investment		✓
Aesthetically Beautiful		✓
Insect-Resistant		✓
Sustainable	✓	✓
 Class-A Fire Rating (WUI)		✓

# PROTECT YOUR DECK!

## Safer, Stronger Steel Deck Framing.

### KEY FEATURES & BENEFITS



#### EASY TO INSTALL

If you know how to frame with wood, you can frame with Evolution.



#### STRAIGHT, UNIFORM PIECES

Builds flat, stays flat!



#### GREATER SPANS

Fewer posts for less obstructed views.



#### BEAUTIFUL

The premium Black Sand powder coat provides a pleasing look that virtually disappears.



#### CLASS-A FIRE RATING

A noncombustible material that's resistant to fire and meets the requirements for use in all Wildland Urban Interface (WUI) zones and roof-top applications.



#### PROTECTED

Invulnerable to rotting, warping, splitting, and insect damage.



Patent #US10100516B2 11064830;  
101005163, 10950570

#### 25-YEAR LIMITED WARRANTY

Visit [FortressBP.com](http://FortressBP.com) for complete warranty details and exclusions.



#### COMPATIBILITY

Works with any type or brand of decking.

CODE COMPLIANCE



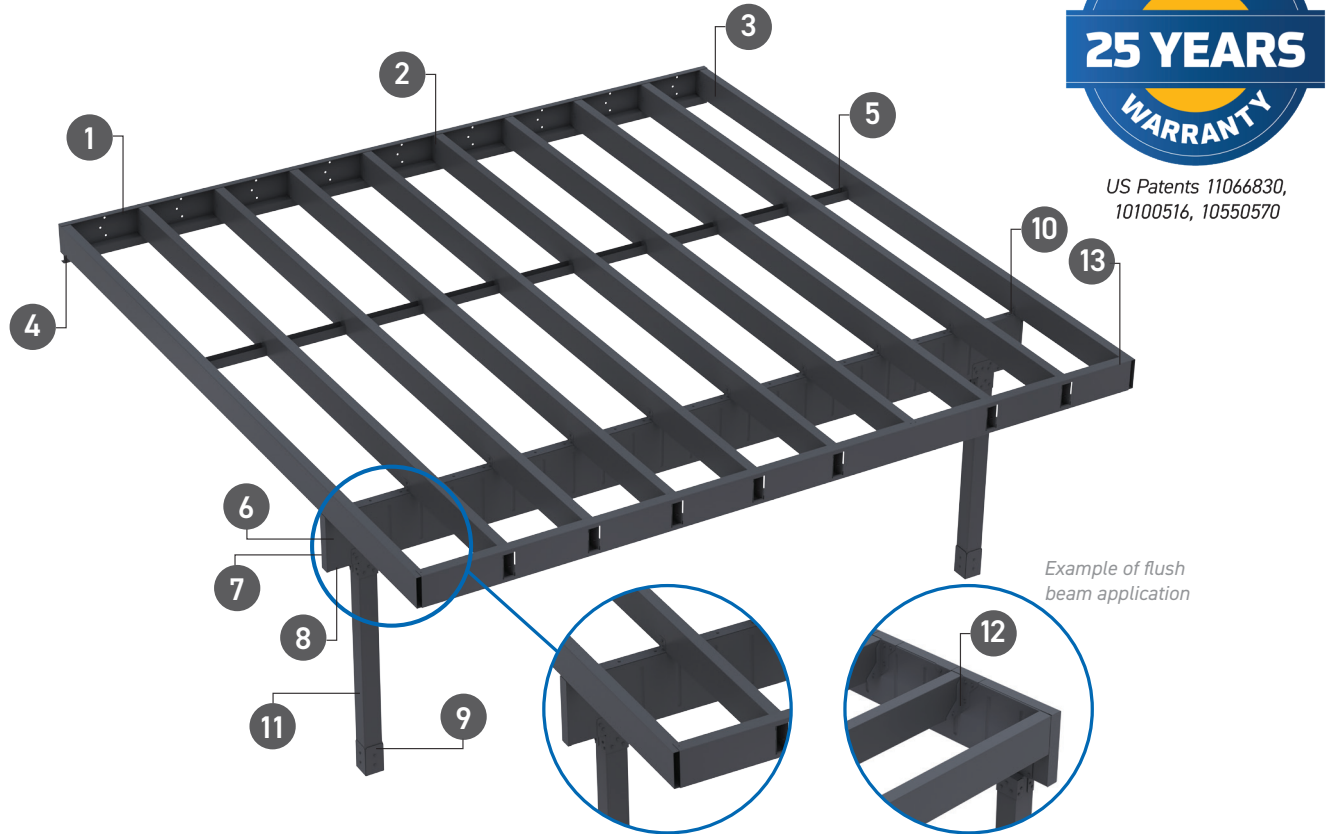
Intertek

#### CCRR-0313

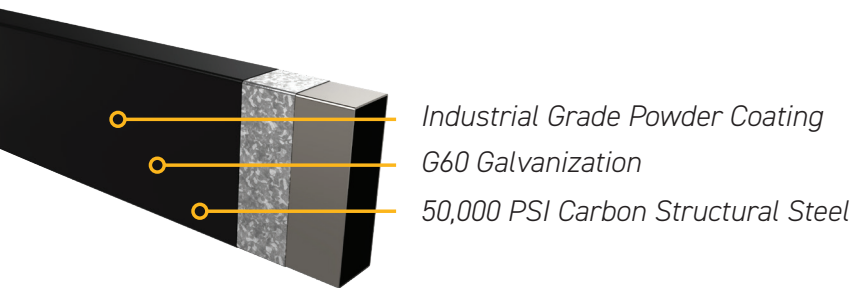
CN: 0512566  
Code tested and approved.

# PARTS SHOWN

1. S-Ledger (pre-spaced 12" & 16" O.C.)
2. Ledger Bracket
3. Joist (2"x6")
4. F50 Bracket
5. Strap (mid-span blocking)
6. Beam (2"x11")
7. Beam Cap
8. Post to Beam Bracket
9. Post (3½"x3½"x10')
10. Beam Blocking (12" & 16" O.C.)
11. Post to Pier Bracket
12. Single Hanger Brackets
13. Rim Joist (pre-spaced 12" & 16" O.C.)



Example of flush beam application



Industrial Grade Powder Coating  
G60 Galvanization  
50,000 PSI Carbon Structural Steel



Our steel framing and stair system is tested and approved in accordance with the CCRR 0313 to provide reassurance that our system meets or exceeds the quality, safety, sustainability, and performance standards you demand for your deck structure.

## ELEVATING STEEL

"You build a deck on steel, and you're building a deck that's going to stay flat during its lifetime."

— Blake Carter, owner of California Deck Pro's

## NO SPECIAL TOOLS

"Once you try it, you can find out that it's in a lot of ways easier than wood."

— Scott Kelly, owner of Precision Construction





# PROVEN PERFORMANCE. SMARTER SOLUTIONS.™

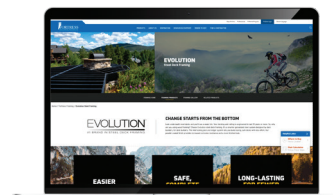
Trust our durable, reliable, steel and aluminum products built on a spirit of innovation and tailored to meet your unique needs.

© 2024 Fortress Building Products. Unless otherwise noted, all proprietary names are trademarks of Fortress Iron, LP. All rights reserved.



Looking for inspiration?  
View steel deck framing  
projects in our gallery.

**FORTIFY THE FUTURE.**  
FortressBP.com | 866.323.4766



FortressBP.com/framing