



TITAN

CUSTOM FENCE

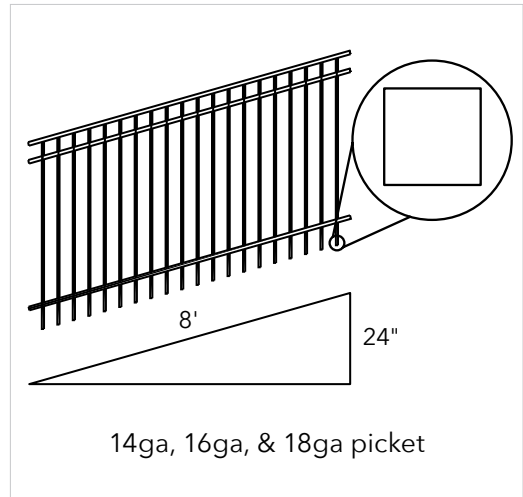
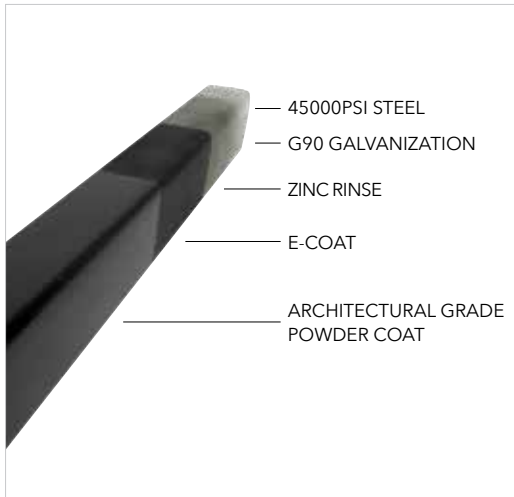


MADE IN THE USA

CUSTOM FENCE



FortressShield



SECURE

- 100% G90 Steel
- E-coat & Powder Coat System
- UV inhibitors reduce fading over time

DURABLE

- Slide Lock Rail
- 680 LB mid-span load per rail
- Fully Pre-assembled

ENGINEERED

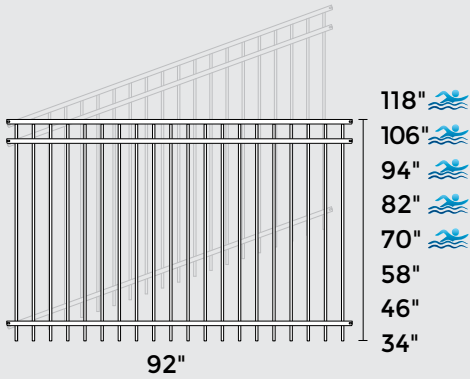
- Easily adjusts 24" on an 8' panel to match terrain
- No steel fatigue
- Coating is not compromised when racked



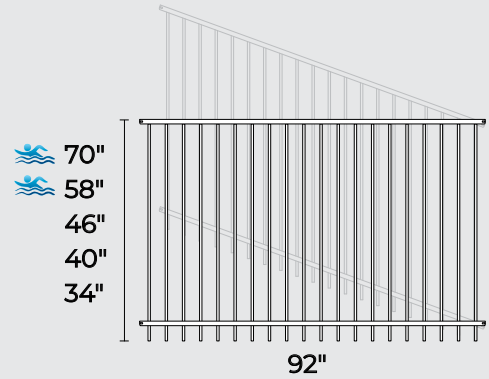
FLAT TOP

- 1-3/4" X 1-3/4" (14GA) RAIL
- 1" PICKET: 34", 40", 46", 58", 70", 82", 94", 106", 118" (14GA)
- 3-15/16" AIR SPACE

THREE RAIL PANELS



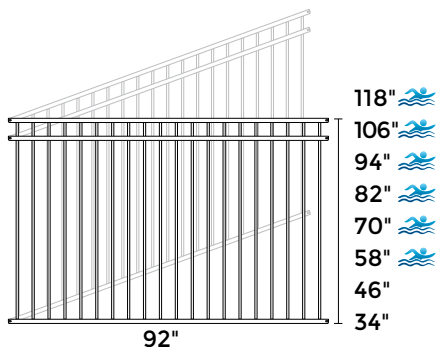
TWO RAIL PANELS



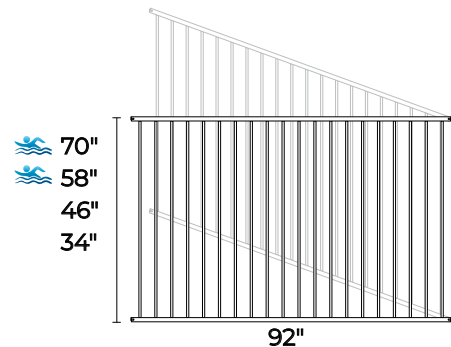
FLAT TOP / FLAT BOTTOM

- 1-3/4" X 1-3/4" (14GA) RAIL
- 1" PICKET: 34", 40", 46", 58", 70", 82", 94", 106", 118" (14GA)
- 3-15/16" AIR SPACE

THREE RAIL PANELS



TWO RAIL PANELS

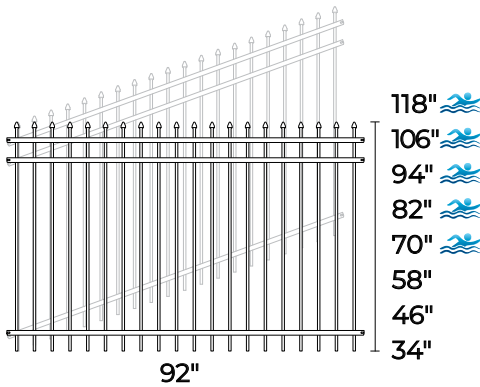


PRESSED SPEAR

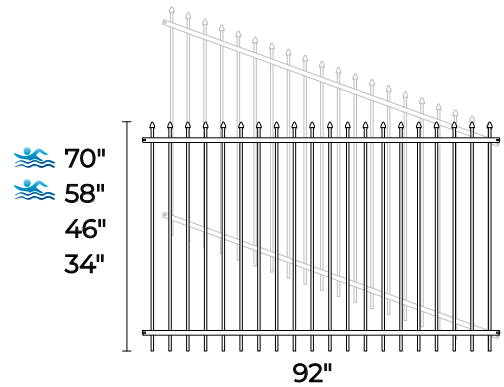
- 1-3/4" X 1-3/4" (14GA) RAIL
- 1" PICKET: 34", 46", 58", 70"
82", 94", 106", 118" (14GA)
- 3-15/16" AIR SPACE



THREE RAIL PANELS



TWO RAIL PANELS

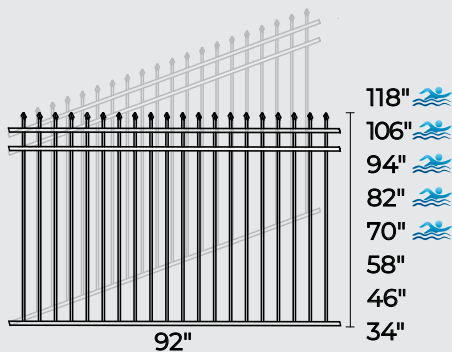


PRESSED SPEAR / FLAT BOTTOM

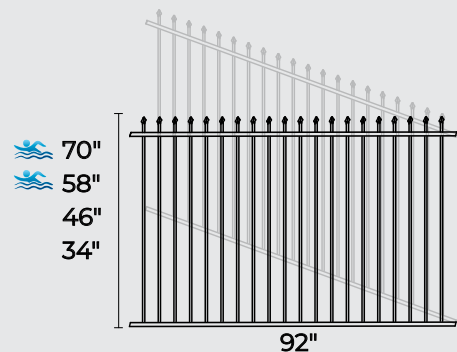
- 1-3/4" X 1-3/4" (14GA) RAIL
- 1" PICKET: 34", 46", 58", 70",
82", 94", 106", 118" (14GA)
- 3-15/16" AIR SPACE



THREE RAIL PANELS



TWO RAIL PANELS

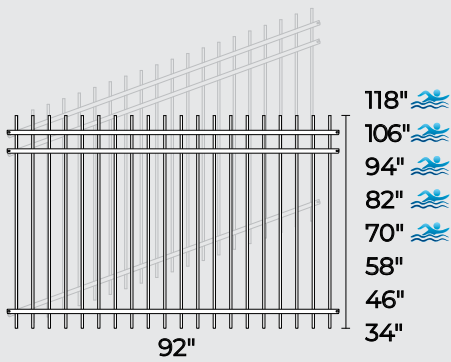




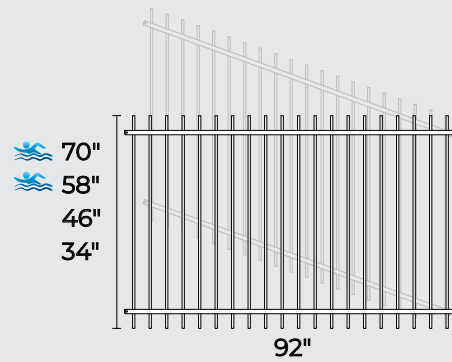
EXTENDED PICKET

- 1-3/4" X 1-3/4" (14GA)
1" PICKET: 34", 46", 58", 70",
82", 94", 106", 118" (14GA)
- 3-15/16" AIR SPACE

THREE RAIL PANELS



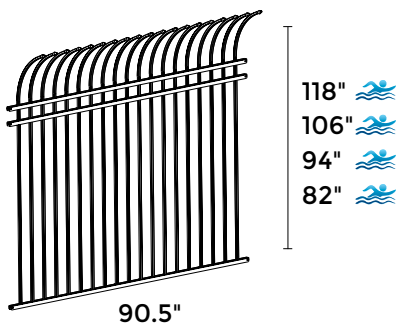
TWO RAIL PANELS



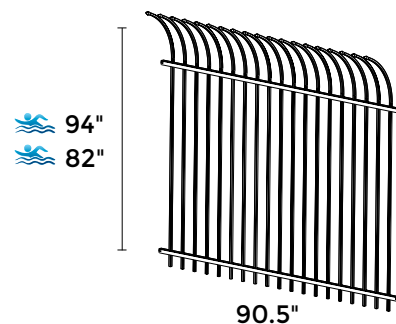
CURVED TOP

- 1-3/4" X 1-3/4" (14GA) RAIL
- 1" PICKET: 82", 94", 106",
118" (14GA)
- 3-15/16" AIR SPACE

THREE RAIL PANELS



TWO RAIL PANELS

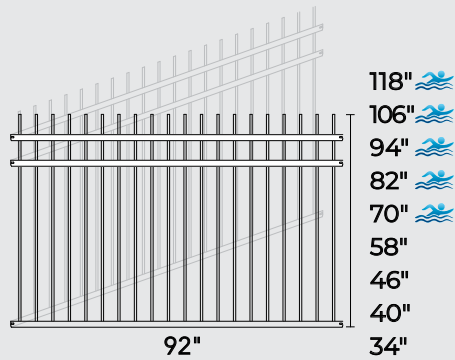


EXTENDED PICKET / FLAT BOTTOM

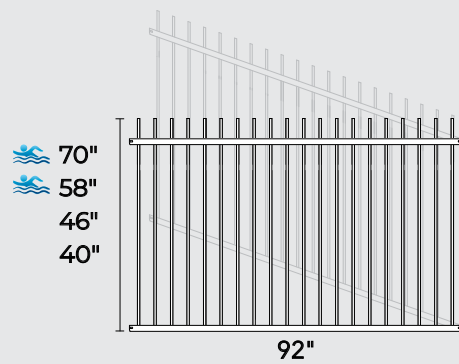
- 1-3/4" X 1-3/4" (14GA) RAIL
- 1" PICKET: 34", 40", 46", 58", 70", 82", 94", 106", 118" (14GA)
- 3-15/16" AIR SPACE



THREE RAIL PANELS



TWO RAIL PANELS



BRACKETS



EXT. ONE DIR.
(EX-107)



EXT. TWO DIR.
(EXW-207)



EXT. THREE DIR.
(EXW-307)



SWIVEL
(EXS-107)

PRO SERIES HARDWARE



PRO SERIES HINGE



PRO SERIES DROP ROD



PRO SERIES FORK LATCH



PRO SERIES SLIDE LATCH

ACCESSORIES

14ga

2.5"	38"	2.5"	3"	4"
	44"	72"	72"	72"
58"	62"	84"	84"	84"
	74"	96"	96"	96"
Plated Post	108"	108"	108"	108"
	120"	120"	120"	120"
	132"	132"	130"	130"
		144"	144"	144"
				156"



NYLON CAP



PRESSED DOME CAP



BALL CAP

READY SET



CUSTOM FABRICATION



Fortress Fence Products is proud to offer a full range of custom fabricated gates and panels to meet any project needs. With its own custom fabrication facility, there is a dedicated staff to help design any gate or panel to individual specification and style. Fortress Custom Fabrication is also available in a broad range of premium finishes. Carrying up to a 5-year limited manufacturer warranty, Fortress Custom Fabrication manufactures to a standard of pre-galvanized and premium powder coated steel to provide gates and panels that will withstand the elements. For assistance with developing custom gates or panels, information about custom colors and pricing, please contact us at 1-844-909-1999 or specifications@fortressfence.com.

SPECIFY FORTRESS

ARCAT



Fortress Fence Products is the leading manufacturer of perimeter fence products. We are committed to developing innovative, quality products specifically for the ornamental fence industry. For any drawings or specification related to one of our products, please contact our Commercial Estimating Department 1-844-909-1999 or specifications@fortressfence.com. We invite you to visit FortressFence.com, ARCAT.com and CADdetails.com.

PROUD AFFILIATE OF:



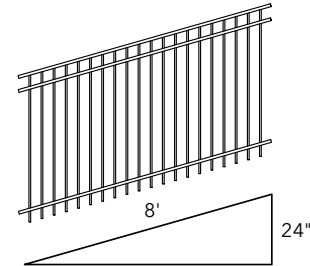
Fortress Fence Products actively supports multiple industry trade and technical standards organizations through service in trade shows, membership activities, continuing education seminars and active roles in leadership committees. Fortress Fence is proud to invest time and finances into these organizations in commitment to supporting and growing key segments of the fence industry.







RIGID WELDED STEEL CONSTRUCTION
 ADJUSTS TO THE MOST AGGRESSIVE LANDSCAPE
 STRONGER RAIL STRENGTH

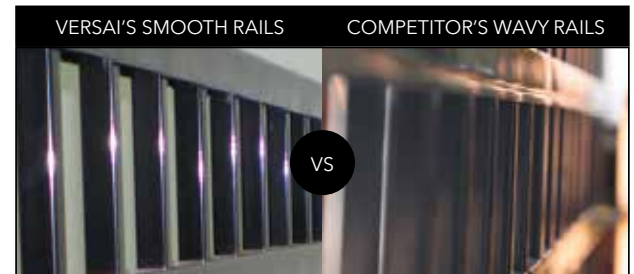


E-COATED
 ARCHITECTURAL GRADE POWDER COAT
 UV INHIBITORS REDUCE FADING OVER TIME
 VIRTUALLY MAINTENANCE FREE
 20-YEAR LIMITED MANUFACTURER WARRANTY

- 4500PSI STEEL _____
- G90 GALVANIZATION _____
- ZINC RINSE _____
- E-COAT _____
- ARCHITECTURAL GRADE _____
- POWDER COAT _____



SMOOTH RAILS WITHOUT SAG, RIVETS, OR SCREWS
 MATCHING WALK AND DRIVE GATES
 VARIETY OF STYLES AND CUSTOM OPTIONS



RESIDENTIAL ■ COMMERCIAL ■ INDUSTRIAL



Fortress Fence Products is a leading manufacturer of ornamental fence systems. We are committed to continually developing innovative, quality products specifically for the ornamental fence industry. Fortress Fence Products is a subsidiary of Fortress Building Products, which now boasts of nearly 50 years of combined experience in building products design and supply.

1-844-909-1999 | FortressFence.com